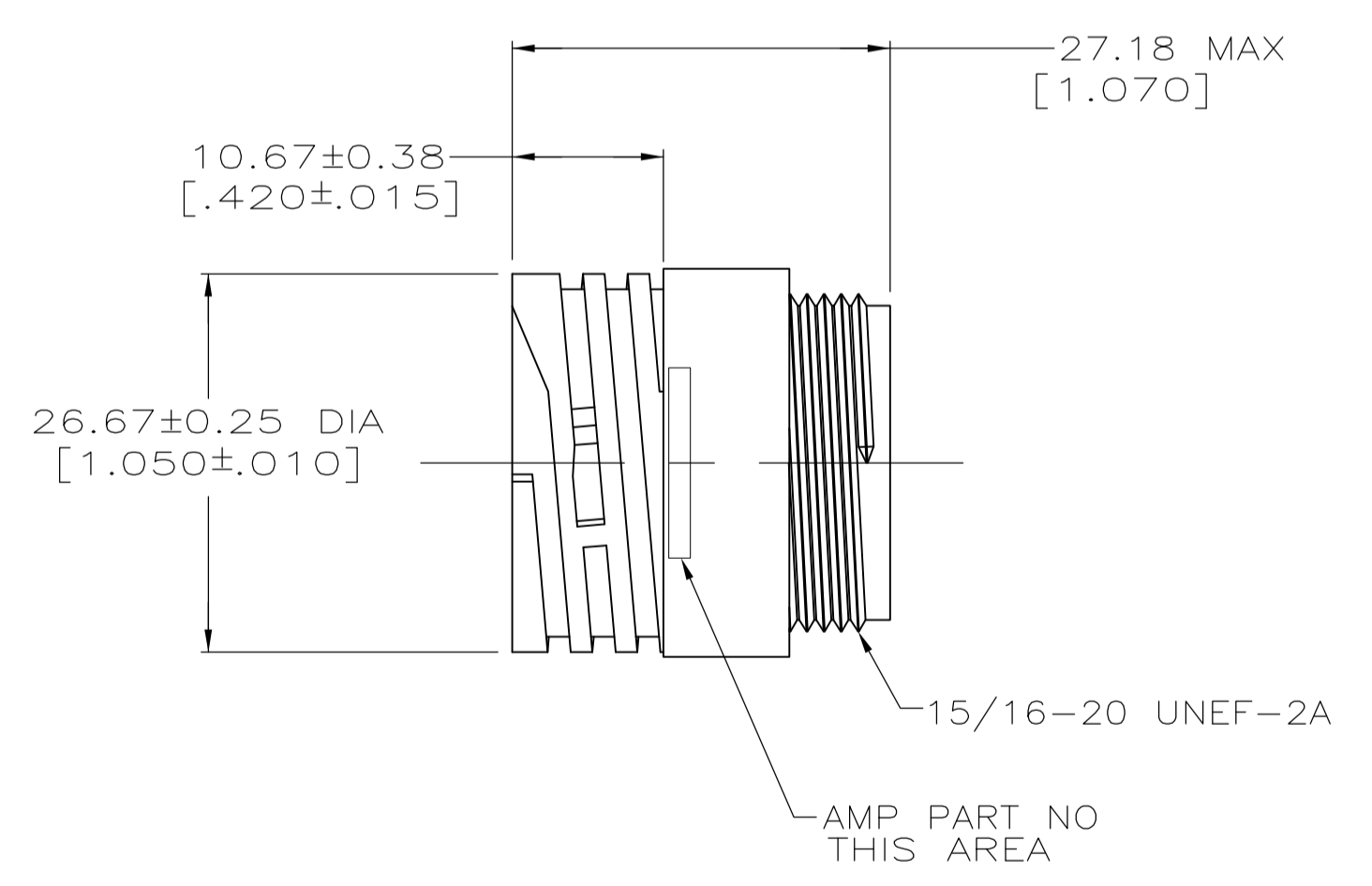
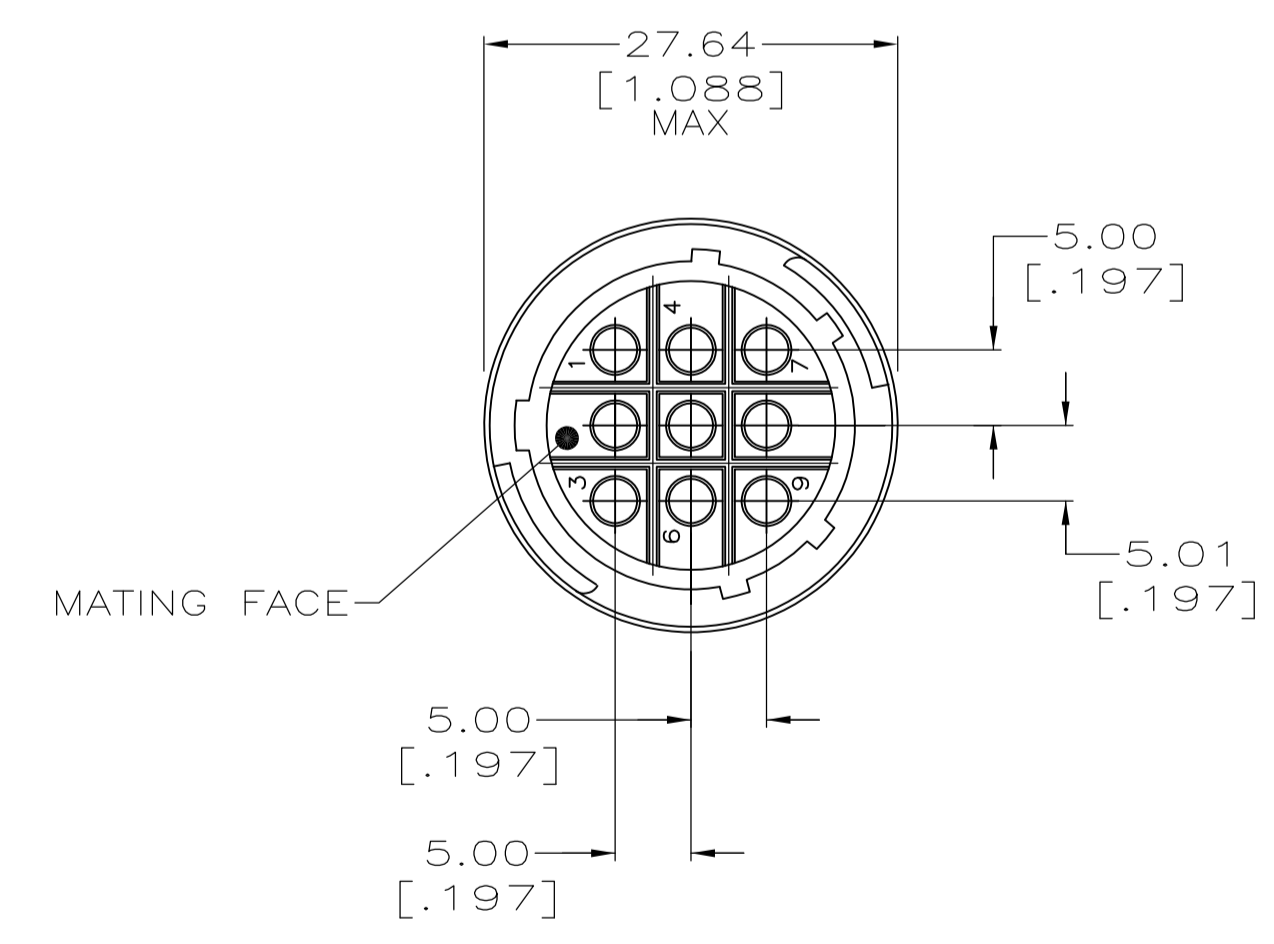


211769-1, -2, -4 & -5



211769-3

1. CAVITY IDENTIFICATION ON FRONT AND REAR FACE.
2. WILL ACCEPT NINE (9) MULTIMATE SOCKET CONTACTS.
3. 3.81[.150] MAXIMUM INSULATION DIAMETER.
4. 2.54[.100] MAXIMUM INSULATION DIAMETER.

YES	FLANGE	211769-5
NO	FLANGE	211769-4
NO	FREE HANGING	211769-3
NO	FLANGE	211769-2
NO	FLANGE	211769-1
THREADED INSERTS	MOUNTING	PART NUMBER

THIS DRAWING IS A CONTROLLED DOCUMENT.

DIMENSIONS: mm [INCHES]	TOLERANCES UNLESS OTHERWISE SPECIFIED:	DIN 09-24-94	D. BROCKWAY
0 PLC ± -	1 PLC ± -	09-30-94	R. STONE
2 PLC ± 0.13 [.005]	3 PLC ± -	10-03-94	A. FRANTUM
4 PLC ± -	ANGLES ± -		

RECEPTACLE HOUSING, REVERSE SEX, SHELL SIZE 17, CPC

SIZE: A1 CASE CODE: 00779 DRAWING NO: 211769

CUSTOMER DRAWING SCALE: 2:1 SHEET: 1 OF 1 REV: G1